

SIMONSWERK TECTUS®

TECTUS TE 640 3D

for unrebated high performance heavy-duty doors

hinge **up to 200 kg**

Technical Details

Load capacity	200,0 kg
Length (door/frame)	240,0/240,0 mm
Width (door/frame)	32,0/32,0 mm
Cutter diameter	24,0 mm

Descriptive Text

SIMONSWERK Türband TECTUS TE 640 3D. Komplette verdeckte liegend für ungefälzte, schwere Türen an Holz-, Stahl- und Aluminiumzargen. UL-zertifiziert, mit komfortabler 3D-Verstellung, Belastungswert 200 kg, Öffnungswinkel bis 180°, Gesamtlänge 240 mm, DIN rechts und links verwendbar, wartungsfreie Gleitlagertechnik, dreidimensional verstellbar: Seite +/- 3,0 mm, Höhe +/- 3,0 mm, Andruck +/- 1,0 mm. Oberfläche...

Note

Finger protection due to a small gap between door and frame

Functional areas

soundproof, burglar resistance und Fire resistance, Smoke resistance

Quality Marks

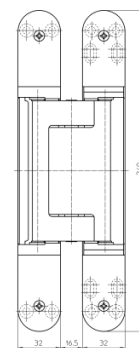


Combination

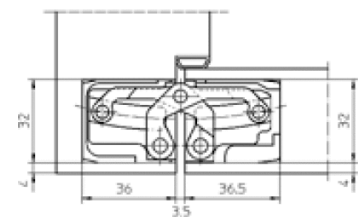
Receiver	casing frame	TE 640 3D FZ/1
	steel frame	TE 640 3D SZ

Installation aids

universal milling frame	
Template No. 5 250659 5	step 1
Template No. 5 250689 5	step 2



front view



block frame

SIMONSWERK

TECTUS®

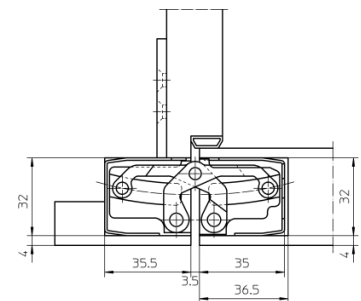
TECTUS TE 640 3D

for unrebrated high performance heavy-duty doors

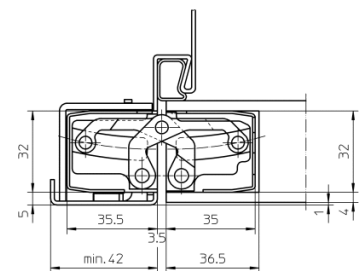
hinge up to 200 kg

Items (DIN direction: DIN right and left hand applicable)

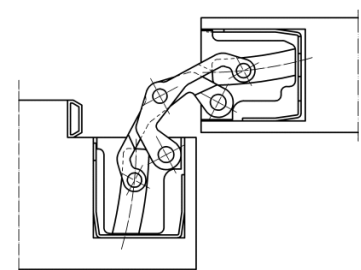
finish(es)	polished brassed
Packing unit	Pack of 2
Item number	5 400582 0 03002
finish(es)	polished nickelled
Packing unit	Pack of 2
Item number	5 400582 0 03802
finish(es)	powder coated
Packing unit	EUR pallet
Item number	5 400582 0 07975
finish(es)	F1 powder coated
Packing unit	Pack of 2
Item number	5 400582 0 12402
finish(es)	F2 powder coated
Packing unit	Pack of 2
Item number	5 400582 0 12502
finish(es)	stainless steel look
Packing unit	Pack of 2
Item number	5 400582 0 12602



casing frame



steel frame



Blockzarge 90°

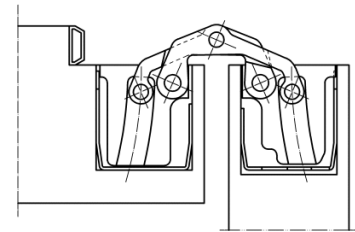
SIMONSWERK
TECTUS®

TECTUS TE 640 3D

for unrebated high performance heavy-duty doors

hinge

up to 200 kg



Blockzarge 180°